

# Introduction

- Ron Dogotch, Vice President & GM of Sales
  - 25 years at Tadano America Corporation
  - Crane industry executive more than 41 years
  - Chairman for the Power Crane & Shovel Assoc.
  - Past positions held:
    - Board member CRAC
    - Board member SC&RA
    - Chairman Allied Industries Group of SC&RA



**CRANE RENTAL**  
ASSOCIATION OF ONTARIO

# Crane Rental Association of Canada

Annual Conference 2014

Whistler, BC



# TADANO Global



# Head Office and Takamatsu Plant



Completion: 1959  
Site Area: 69,622m<sup>2</sup>  
Building Area: 13,665m<sup>2</sup>

# Shido Plant (Japan)



Completion: 1980  
Site Area: 200,816m<sup>2</sup>  
Building Area: 93,542m<sup>2</sup>

# TADANO FAUN GmbH (Germany)



Completion: 1990  
Site Area: 198,242m<sup>2</sup>  
Building Area: 56,222m<sup>2</sup>

# TADANO Customer Support in Canada

- Western Canada
  - Opened Edmonton facility in 2008 with one technician
  - Continuously expanding to full-service facility with a growing team, currently consisting of six people
- Central and Eastern Canada
  - New resident customer service representative in Ontario
  - Eastern Canada also supported via our Texas and North Carolina service and parts operations

# The TADANO Way

A philosophy of working and thinking that distinguishes our people and products in the global market.

- **CUSTOMER FIRST:** Pursue safety and quality for the benefit of our customers
- **SAFETY FIRST:** Our commitment to establishing a culture of safety for our people and customers that is imbedded in every crane we manufacture
- **TQM:** Encourages our people to work as a team towards the common goal of continuous improvement every day



# TADANO Stands For:



TADANO cranes work safely

TADANO cranes work reliably

TADANO cranes work efficiently

# TADANO's Newest Cranes

## GR-1600XL-2



## ATF 400G-6



# Rough Terrain Crane Line-Up



GR-150XL-1



GR-350XL-2



GR-550XL-2



GR-750XL-2



GR-1000XL-2



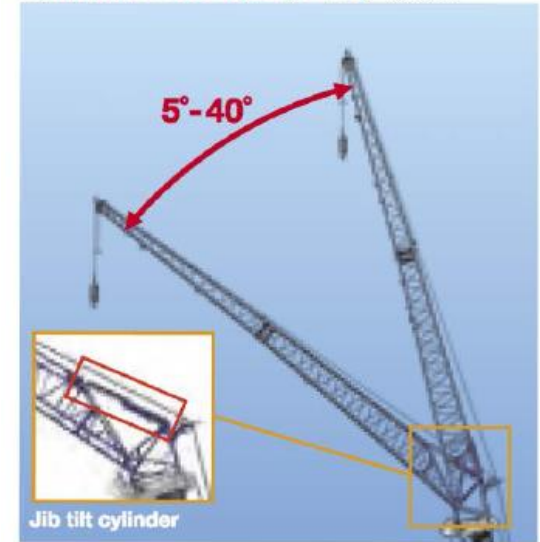
GR-1600XL-2



# GR 1600XL-2 Specifications

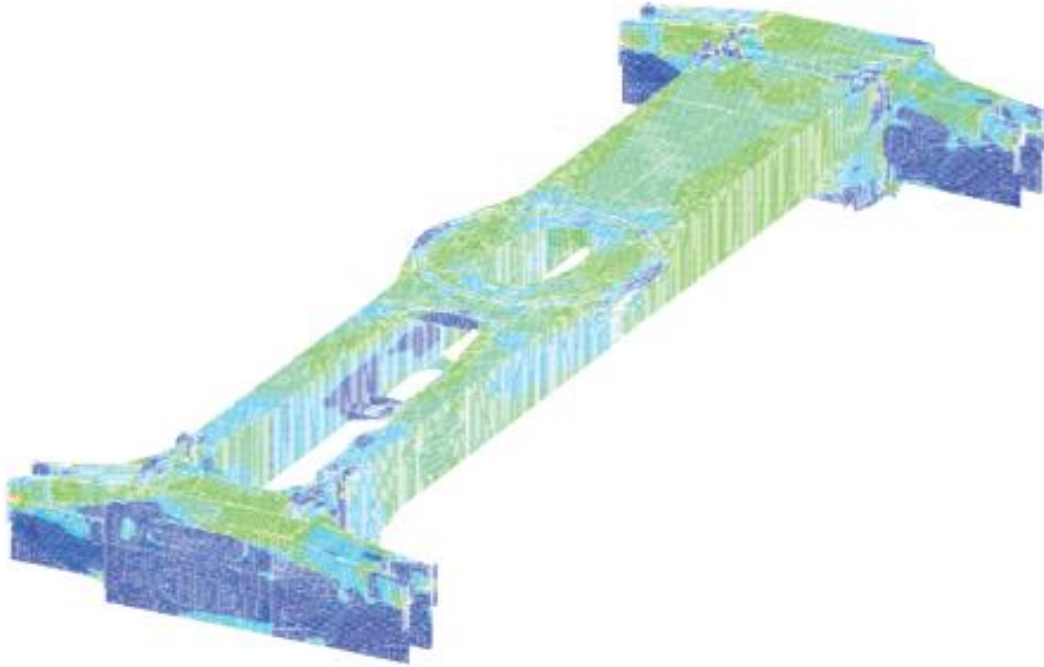
- 200.1' six section boom
- 59.1' 2-stage bi-fold jib
  - Hydraulic offset option
  - Assist cylinder for jib erection
- 3 axle carrier
- Transport weight (w/o outriggers and ctwt) 113,611 lbs.
- Transport height 12' 5"
- Engine
  - Eco mode
  - Positive control
  - Fuel monitoring

Hydraulic offset jib (5°-40°) \*Optional

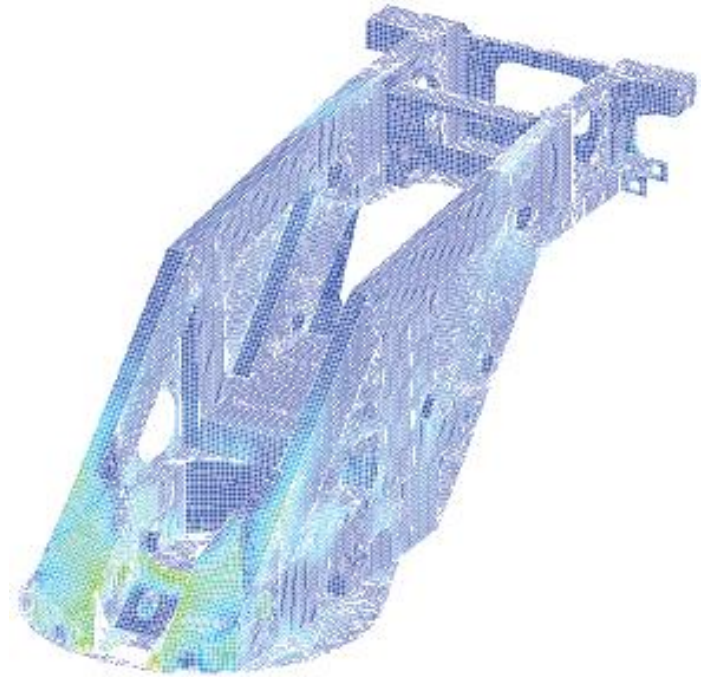


Assist cylinder for jib

# New-Generation Crane



New carrier frame

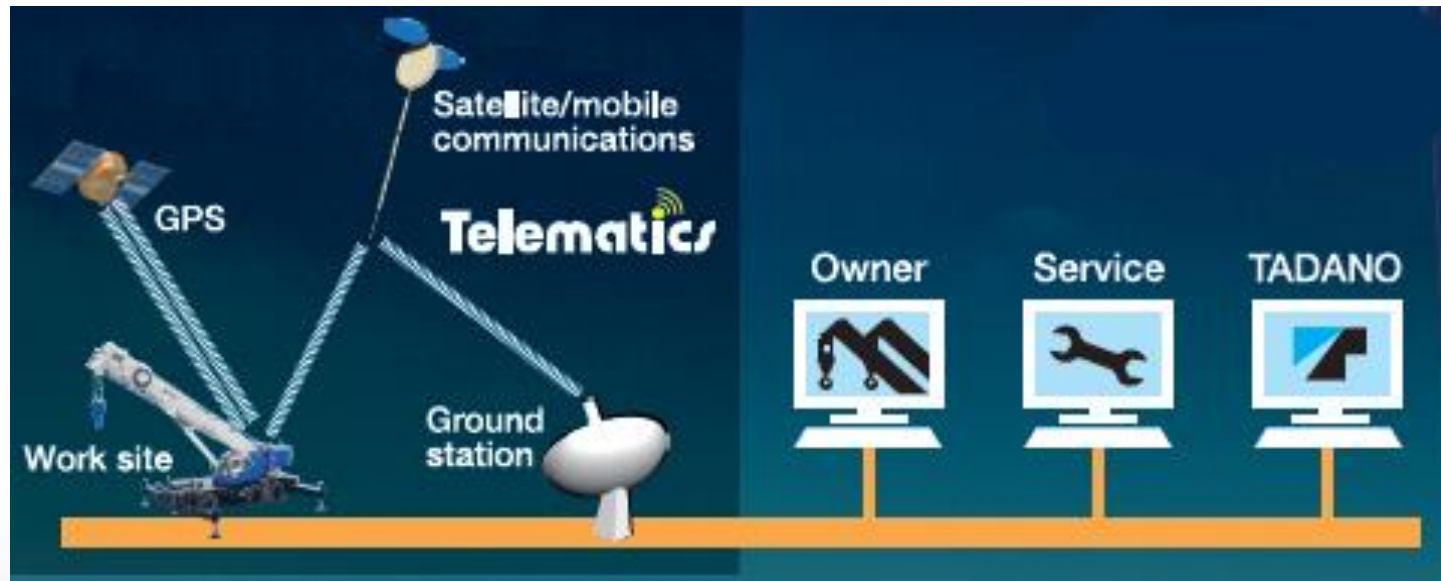


New crane structure



# HELLO-NET

- Crane activity can be monitored from computers or mobile devices



# Efficient Operation

## Eco Mode



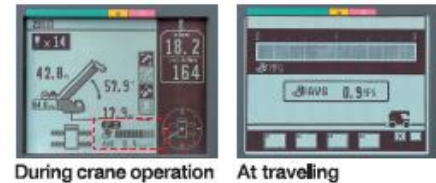
- Decreases CO2 emissions and fuel consumption by up to 21%

## Positive Control



- Decreases CO2 emissions and fuel consumption by up to 20%

## Fuel Monitoring



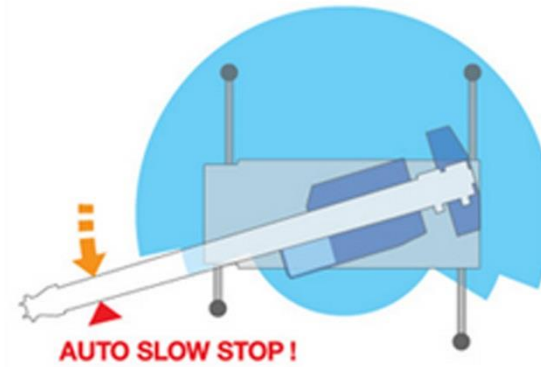
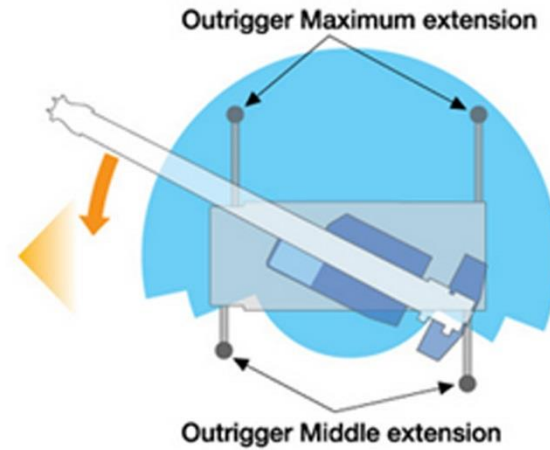
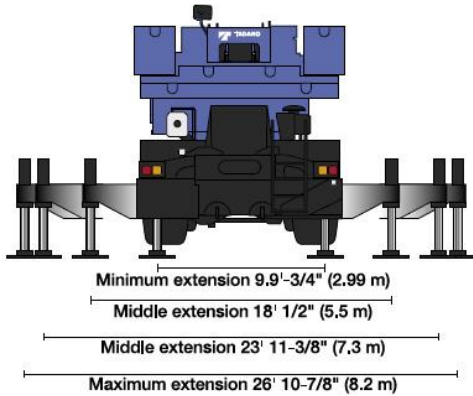
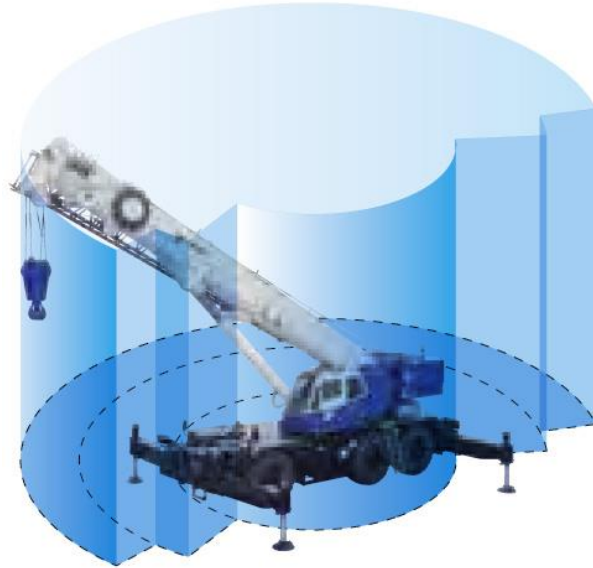
- AML-C screen constantly monitors and displays fuel consumption

# Load Moment Indicator AML-C





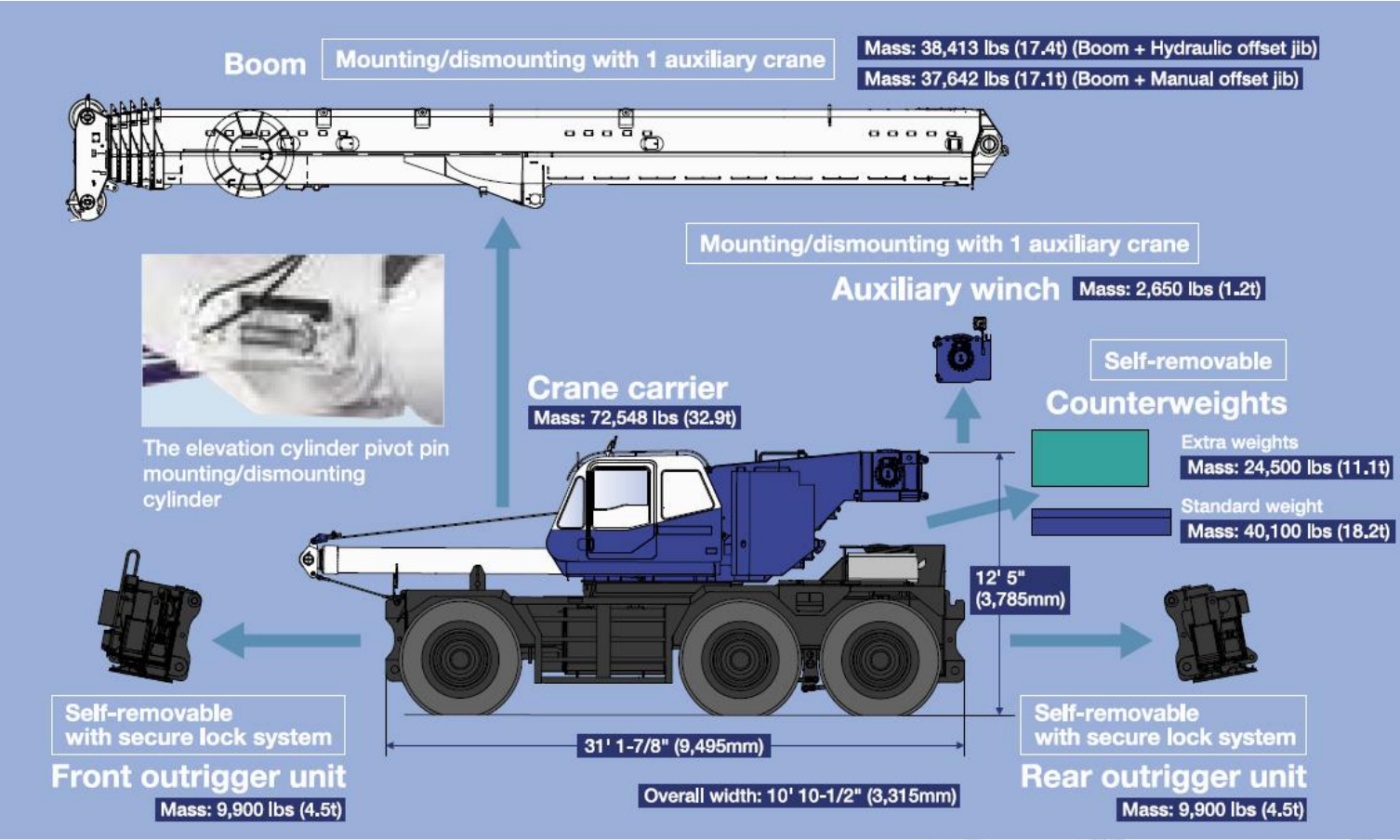
# Asymmetrical Outriggers



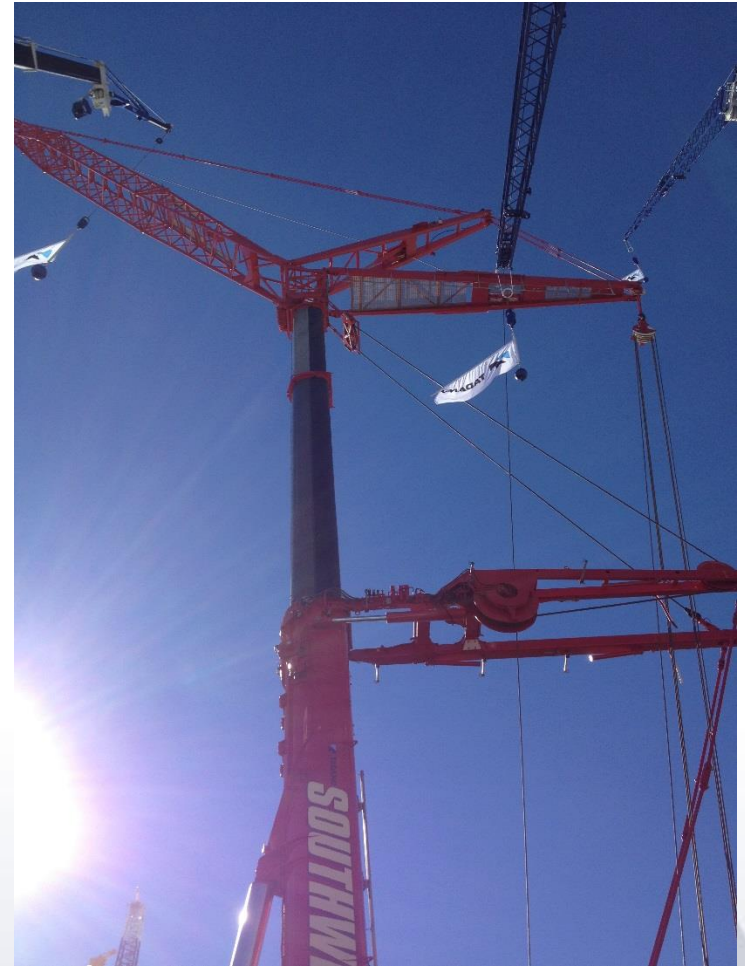
# Operator Comfort



# Transport Weights



# GR 1600XL-2



# GR Features

- Six models from 15 to 160 US tons
- Long and strong main booms
- Telematics (HELLO-Net)
- Eco-mode for fuel efficiency
- Asymmetrical Outriggers
- Slow-Stop
- GR 1600XL-2
  - Tilttable cab
  - Self-removable outriggers and counterweight
  - Pinning boom

# All Terrain Crane Line-Up



ATF 50G-3



ATF 70G-4



ATF 90G-4



ATF 110G-5



ATF 130G-5



ATF 180G-4



ATF 220G-5

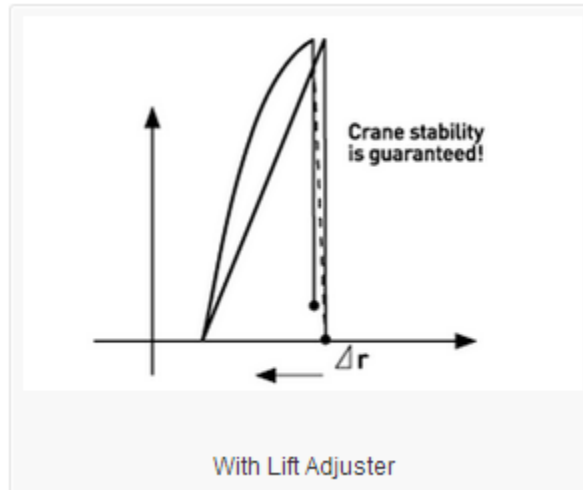
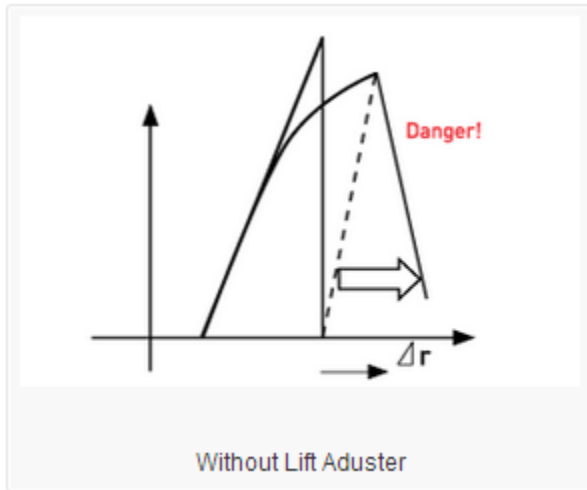


ATF 400G-6

# ATF 400G-6 Specifications

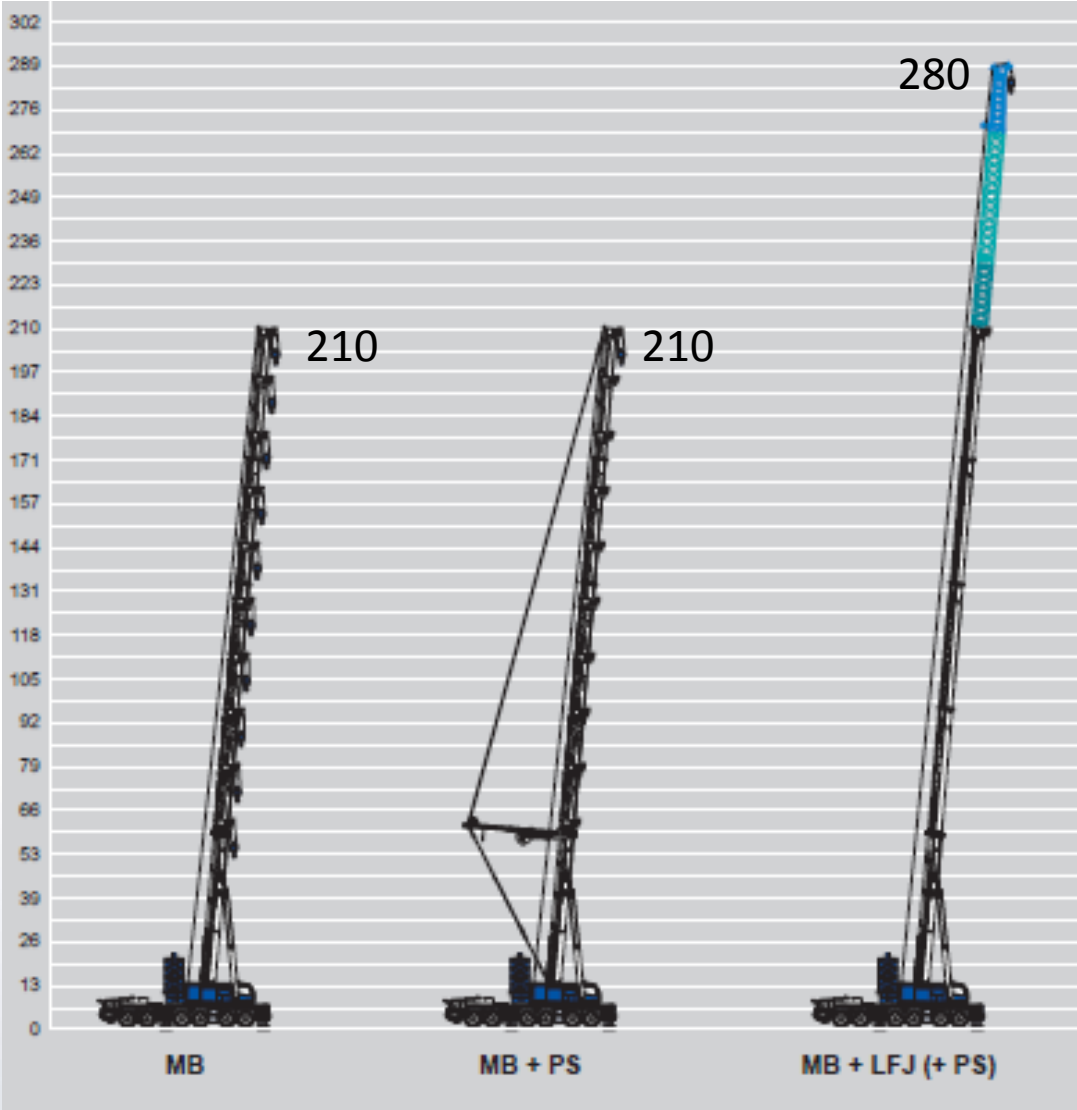
- Five-section 196.8' main boom
- 257.5' luffing jib
- Mercedes-Benz 6 cylinder OM 926 LA (crane)  
Mercedes-Benz 8 cylinder model OM 502 LA (carrier)
- Maximum road speed of 52.8 mph
- 12 x 8 x 12 drive/steer
- 12 Transport loads

# Lift Adjuster/Lift Release

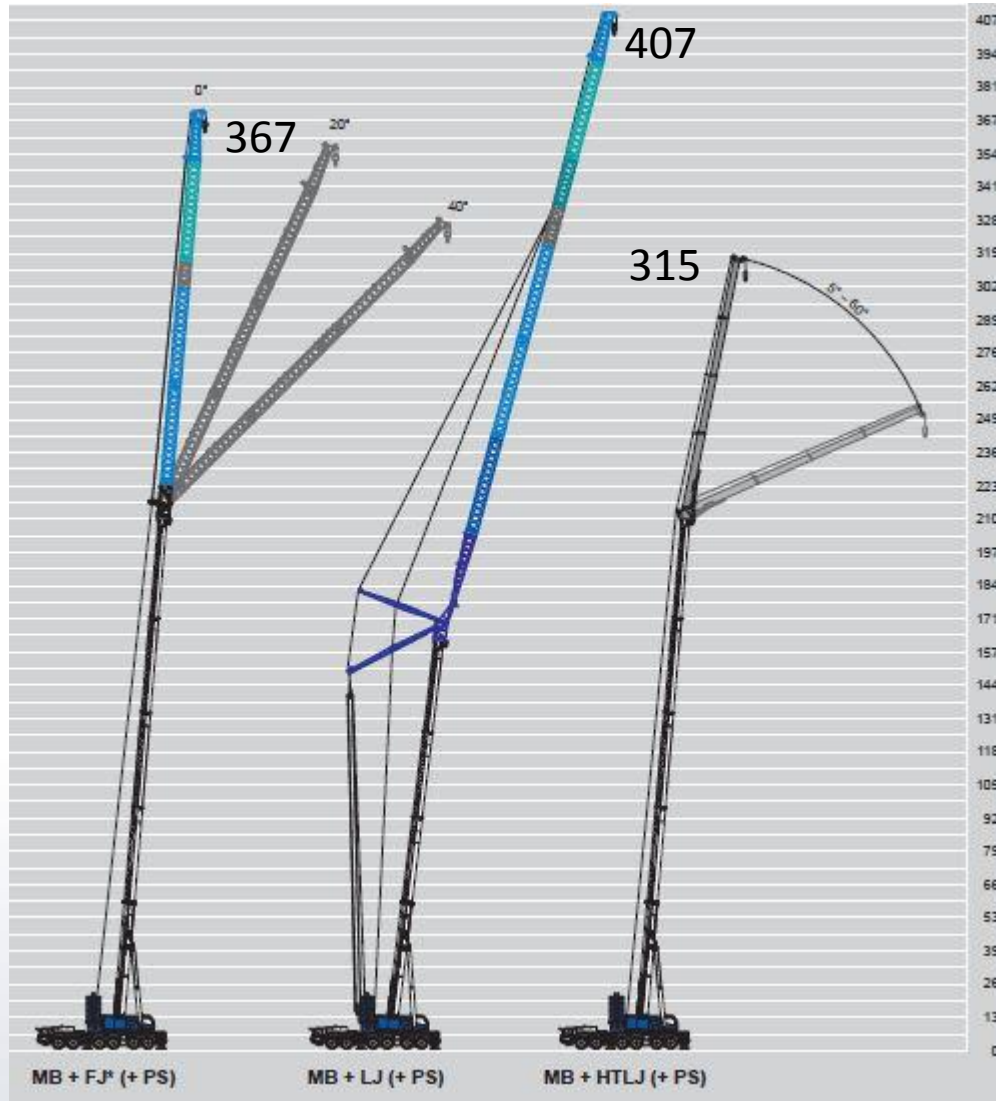




# ATF 400G-6 Lifting Heights



# ATF 400G-6 Lifting Heights



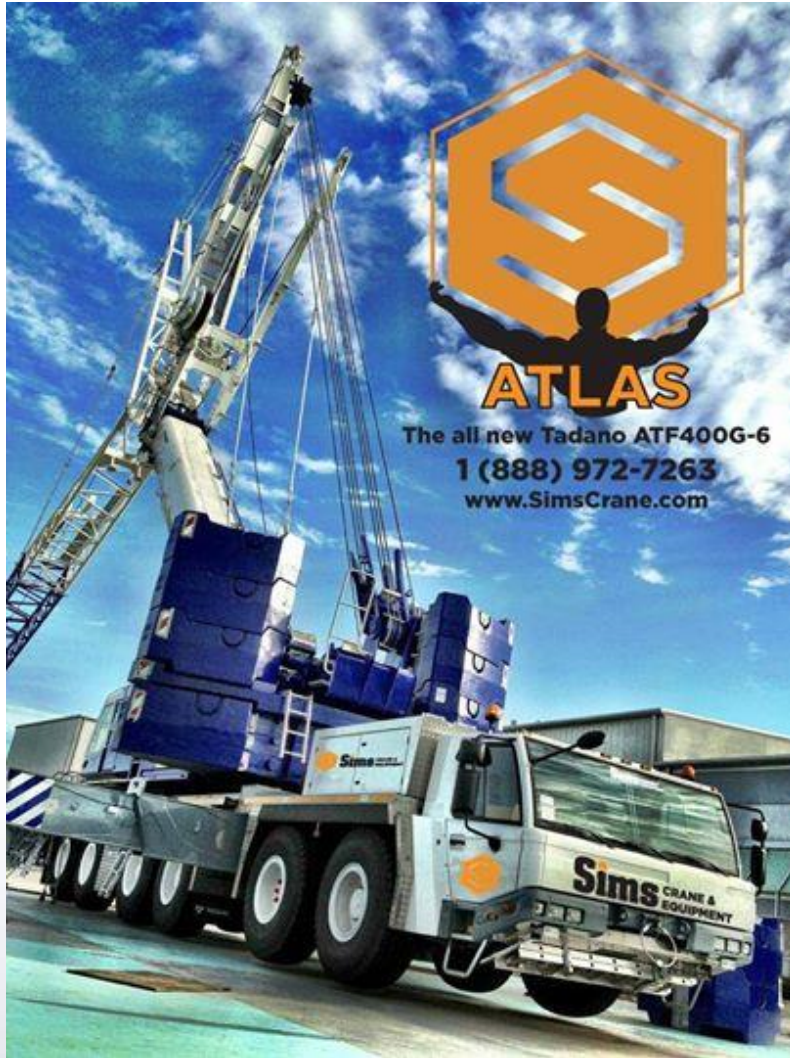
# ATF 400G-6



# ATF 400G-6



# ATF 400G-6

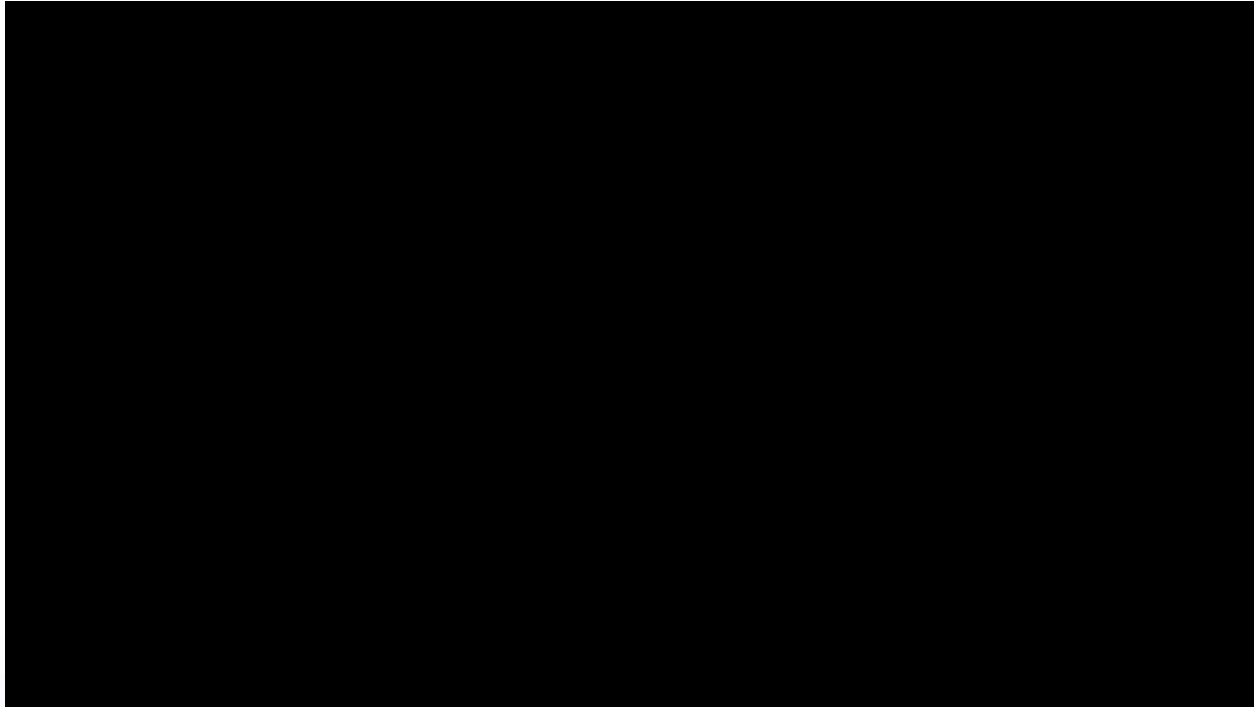



# ATF Features

- Eight models from 50 to 450 US tons
- TADANO FAUN-built carriers
- Long and strong main booms
- Telematics (HELLO-Net)
- Eco-mode for fuel efficiency
- Two-engine design
- Tilttable cockpit
- Lift Adjuster/Lift Release



# Making of the ATF 400G-6





TADANO has established a reputation for providing the safest, highest quality, and most reliable crane products available today.

**THANK YOU FOR YOUR ATTENTION!**